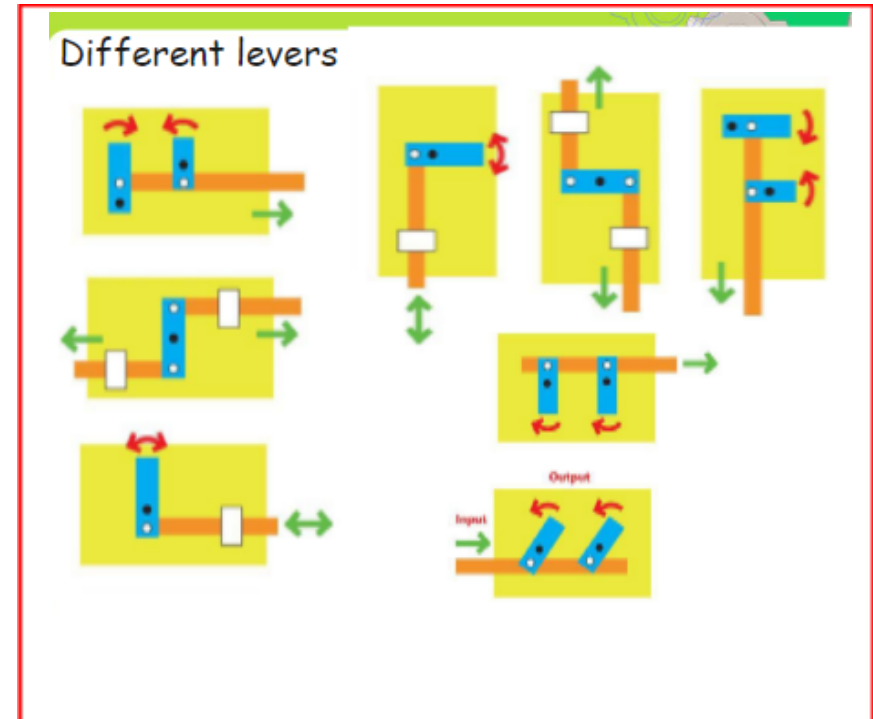
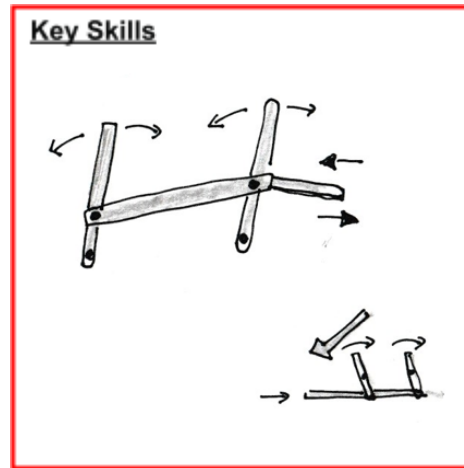


Design Technology Subject Knowledge Bank

Year 4: Levers and Linkages

Vocabulary	Definition
Linkage	A linkage is joined to one or more levers to provide movement. A lever and a linkage combined creates a mechanism.
Guide/Bridge	a short card strip used to keep sliders in place and control movement.
Fixed/loose pivot	loose pivot-a paper fastener that joins two strips of card together. fixed pivot-a paper fastener that joins system- a set of related parts used to create an outcome.
Mock up	A realistic visual representation of a product.
Mechanism	A device used to create movement.



DESIGN

Recap on previous lesson and various linkages.

Children choose one to make
Install this on a backing sheet.



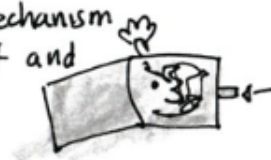
Design a picture/card that will use this design.

WARNING! ① Some children will choose complex system first - take care!

② Ensure that the linkage is mounted to backing plate and can still move!

MAKING

Make picture/card and install mechanism
finish item off and decorate.



EVALUATION

EVALUATE items

Consider improvements



- What went well?
- What didn't go well?
- How could it be improved?
- Was the design okay?
- How did my making go? Could I develop any skills?