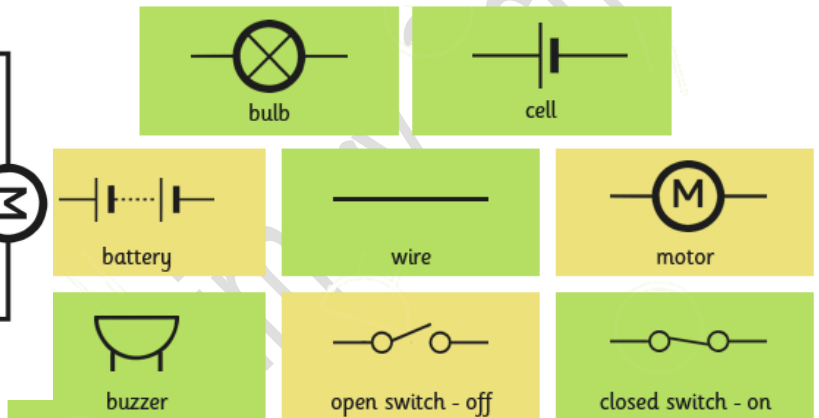
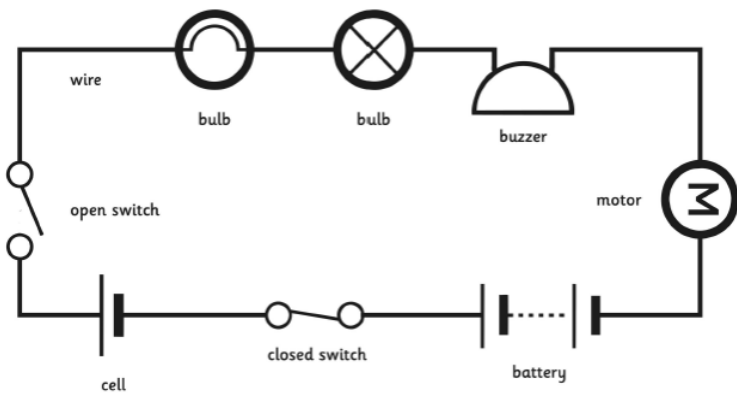


Science		Year 6	
Focus: Electricity			
Age-related scientific vocabulary			
voltage	A force that makes electricity move through a wire.	motor	Converts electrical energy into movement.
current	The amount of electricity flowing through the circuit.	buzzer	Converts electrical energy into sound energy.
circuit	A complete path around which electricity can flow.	component	A part within an electrical circuit.
cell	A single unit used to generate electricity.	voltmeter	Measures the voltage of a component.
battery	More than one cell joined together.	ammeter	Measures the current in a circuit.



Key Knowledge

- Electricity is energy. This energy can be used to power electrical items.
- Electrical energy is caused by electrons (particles in atoms) moving to make a current.
- Electricity is stored in single cells or batteries.
- Electricity can flow through components in a **complete** electrical circuit. Electricity will only travel around a circuit that is complete. That means it has no gaps.
- The voltage and current in a circuit affects the components. The bigger the voltage, the bigger the current.
- Large electrical items need a higher electrical voltage and current than smaller items.